

# INSTRUCTION MANUAL

----- Remote Meter: *MT-5*

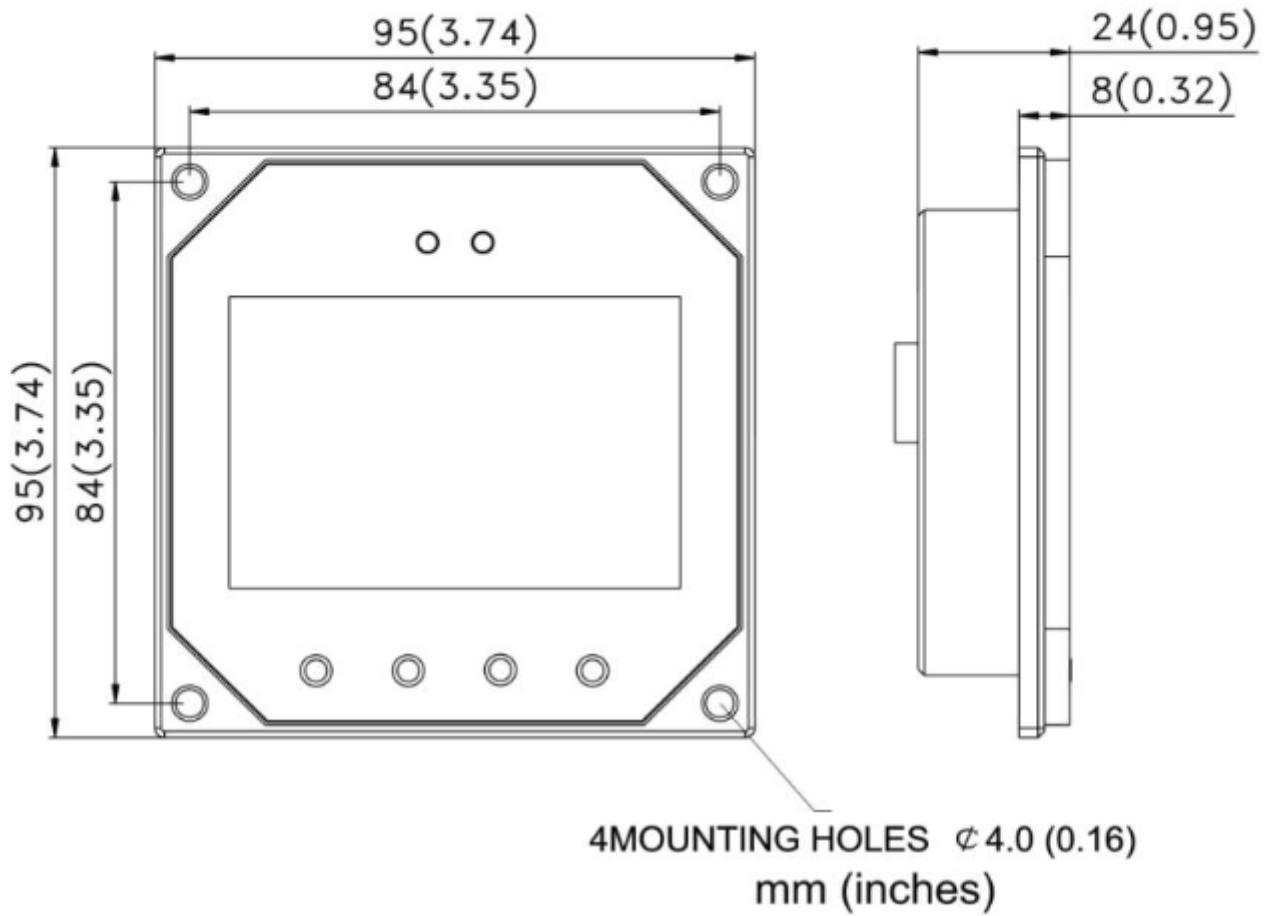
*Remote meter (Model MT-5) is available to connect with solar controller Tracer MPPT series.*



## **OVERVIEW**

The digital Remote Meter displays system operating information, error indications, and self-diagnostics read-out. Information is displayed on a backlit LCD display. The large numerical display and icons are easy to read and large buttons make navigating the meter menus easy. The meter can be flush mounted in a wall or surface mounted using the mounting frame (included). The MT-5 is supplied with 2m of cable and a mounting frame. The MT-5 connects to the RJ45 port on the Tracer.

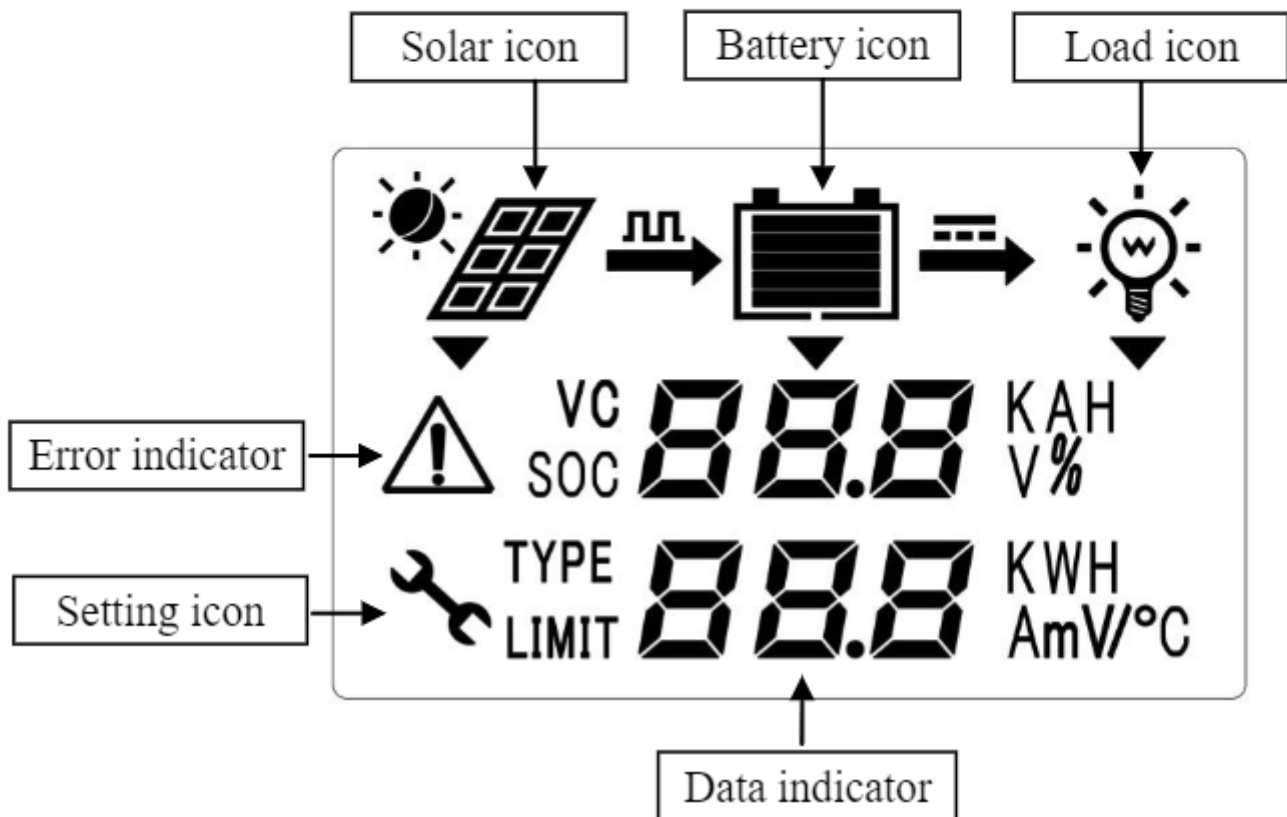
## MECHANICAL DRAWING



## CONTAINS

Wall mounting board, can be mounted in or on the wall with 2 meter cable.

# DISPLAY



The two LED indicators above the LCD show that battery is charging, and a red indicates error conditions.

The LCD has two different brightness levels. After any button is pressed the display will be in high brightness and backlight. To save power, the backlight automatically turns off after 30 seconds.

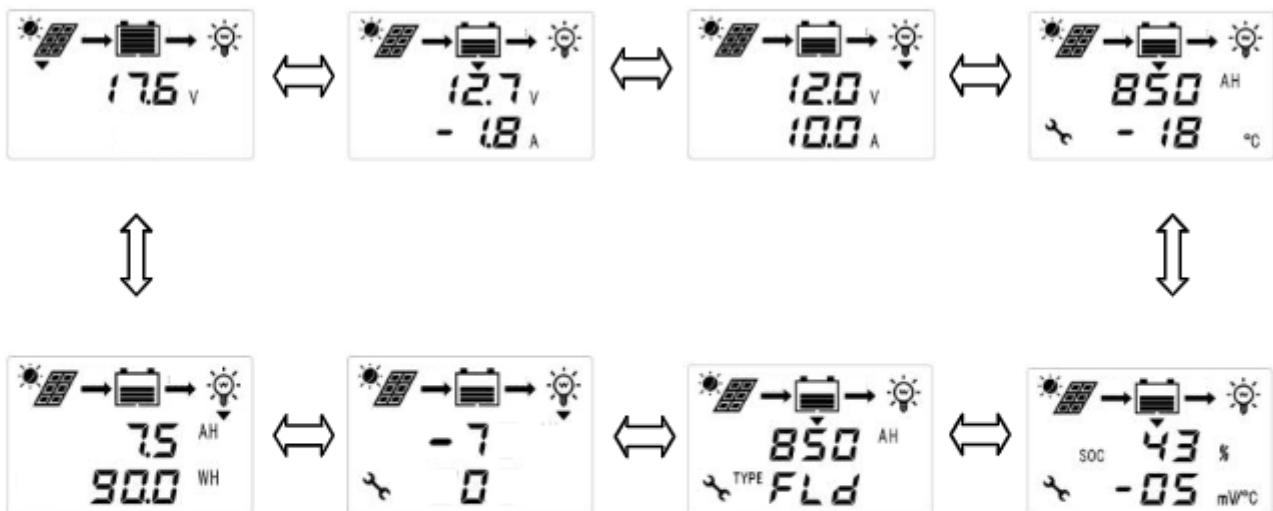
# OPERATION INSTRUCTION


The key from left to right is: K1~K4, or **Set**, **Left**( $\leftrightarrow$ ), **Right**( $\leftrightarrow$ ), **ESC**(Load ON/OFF).

## 1. The meter display as following order:

(Solar panel voltage), (battery voltage, battery current), (load voltage, load current), (battery capacity AH, battery temp.), (battery capacity percentage, temp. compensation), (battery capacity AH, battery type), (Load Timer1 mode, Load Timer2 mode), (discharging accumulation AH, discharging accumulation WH) as eight team data. Use K2, K3, or Left, right key for repeating the data for the team. Data shows as following picture.

**Remarks: MPPT solar controller is Maximum Power Point tracking technology. So the solar panel charging current may not equals to the sum of battery charging current and load current.**

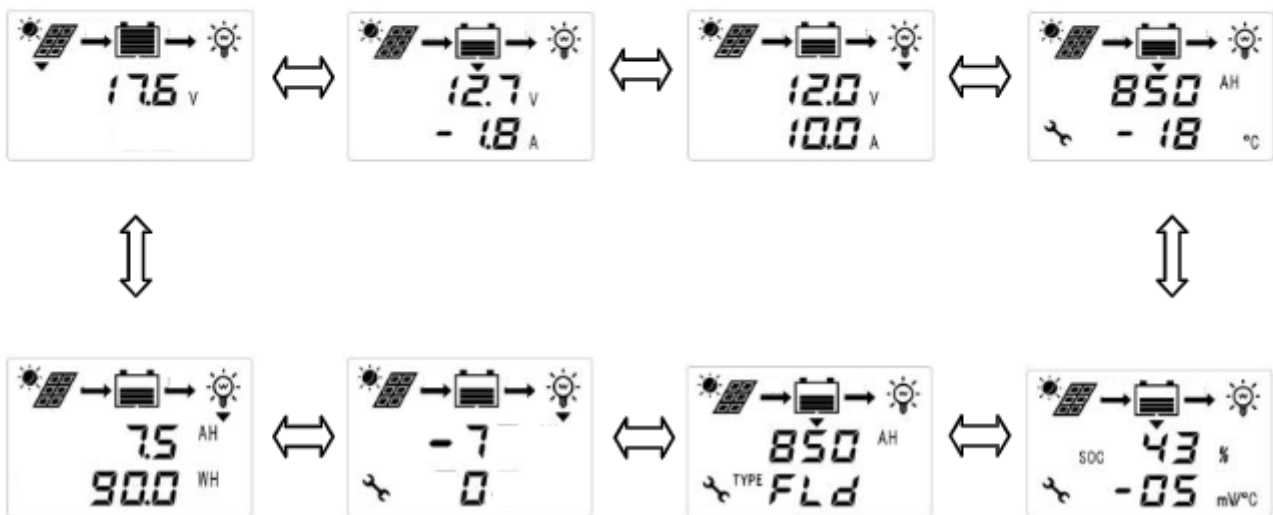


 is setting icon. It appears in setting status, and disappears in reading status.

## 2. Data setting operation:

Reading status, press K1/SET to setting status, press K2, K3 to modify data. K1 for back to reading status and saving data. K4 for back to reading status without saving data.

Operation shows as following picture.



## 3. Data setting instruction

**Battery capacity modify:** capacity modify range from 10AH to 900AH, the default value is 200AH. The modify data should be near or equal to the real capacity. While display battery capacity and temp., press K1 into setting mode, modify the data through K2, K3. Battery capacity will be up/down 10AH, press K1 for saving data and back to the reading status. Or press K4 for back to reading status without saving. The capacity remain the same.

**Battery temp. compensation:** temp. compensation data modify ranges from 0 to 10mV/Cell/°C, while the data is 0, there is no temp. compensation function. While on displaying battery capacity percentage, temp. compensation, press K1 into setting mode, modify the data through K2, K3. The temp. compensation will be up/down 1 mV/Cell/°C.